



GS-60 Printer Applicator available with fixture or conveyor-mounted

12" Supply Reel Labels & Ribbons Match

No Adjustments!

All-Steel Frame

Take-up Motor No Belts or chains

Equipped with state-of-the-art Sato® or Zebra® printer

Air Assist Solid Bar

Semi-automatic or fully-automatic operation

Tamp-blow Pad

Simple
Reliable
Compact

Please contact us today to explore the possibilities.

Headquarters: 2505 Hawkeye Court, Virginia Beach, VA 23452
Toll-free 888-845-2235 Fax: 860-875-4293
Email: info@GoldSealApplicators.com

GoldSealApplicators.com





*So easy to operate,
it is "second-shift proof"*

General Description

The Gold Seal® GS-60 is a state-of-the-art, compact, value-packed thermal transfer printer applicator that's ideal for stand-alone or integrated, industrial or consumer labeling and coding operations.

Key Features include:

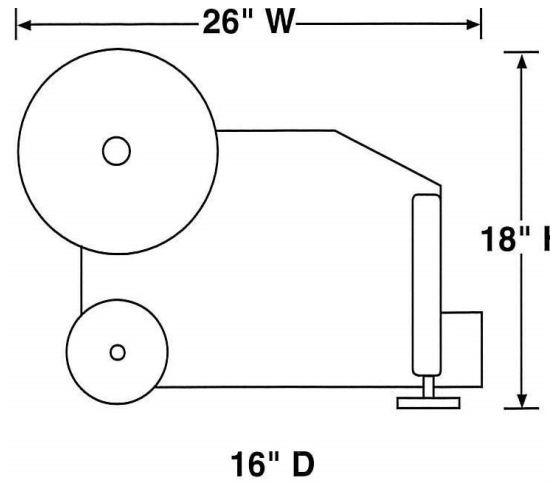
- No-knob, minimal operator adjustment for reliable operation
- Selectable "Tamp" or "Tamp/Blow" operation
- Labels and ribbons are both the same length for maximum efficiency and minimal downtime
- Tamp pad retracts upon impact
- Small footprint fixture base or stand configuration for maximum space-efficiency and flexibility
- Advanced, high-speed Sato® or Zebra® print engine for long, low-maintenance, reliable operating life.

Applicator Specifications

Plug-in Interface Modules
 RS-232C serial interface (9,600 - 57,600 bps),
 high-speed IEEE1284(ECP) parallel interface,
 10/100 Base@T Ethernet, USB, Twinax/Coax,
 Wireless

MODEL	Sato M-8408Se	SatoM-8417Se
Resolution	203 dpi	305 dpi
Minimum Media Width	1.0"W x 0.25"L	1.0"W x 0.25"L
Maximum Media Width	5.25"	5.25"
Maximum Print Width	5.0"	5.25"
Maximum Print Speed	12.0 ips	8 ips

Label Roll Diameter: 12" O.D.
 Label Core Diameter: 3"
 Label & Ribbon Length: 1,345'
 Utilities: 110-120 VAC; 60 psi dry air @ 3 cfm
 Approvals: FCC Class A, UL, CSA, CE



Dimensions

GS-60: 26"W x 18"H x 16"D
 With fixture base: 26"W x 24-1/2"H x 22"D
 With T-stand: 45"W x 54"H x 34"D



*Please contact us today
to explore the possibilities*

Headquarters:
 2505 Hawkeye Court, Virginia Beach, VA 23452

Toll-free: 888-845-2235
 Fax: 860-875-4293

Email: info@GoldSealApplicators.com

GoldSealApplicators.com